



SETSOLAR Products Data Sheet



MA H47 Rail



Item	MA H47 Rail
Specification	L*W28*H47mm
Material	AL6005-T5
Warranty	10 years
Lifespan	More than 20 years

Splice Kit for MA H47 Rail



Item	Splice Kit for MA H47 Rail
Specification	L100mm
Material	AL6005-T5/SS304
Warranty	10 years
Lifespan	More than 20 years

Standard Tile Hook



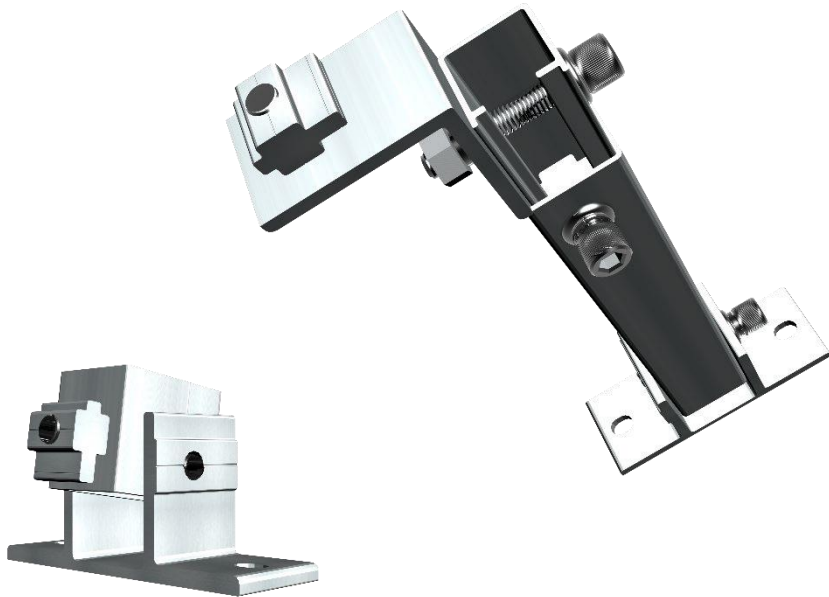
Item	Standard Tile Hook
Specification	/
Material	Zinc-Nickel Alloy Electroplated Steel
Package	By Carton
Warranty	10 years
Lifespan	More than 20 years
Main Parts	Wood Screws M6*80, T Bolt M8*20

L Feet Kit (MA Nut)



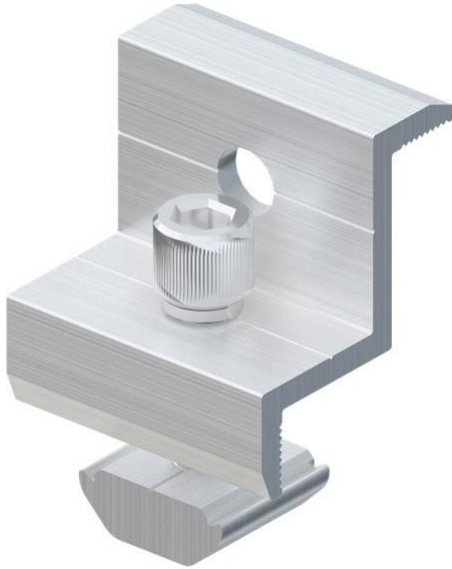
Item	L Feet Kit (MA Nut)
Specification	∅ 9*t6*L40mm
Material	AL6005-T5/SS410
Warranty	10 years
Lifespan	More than 20 years

Adjustable Tilt Leg



Item	Adjustable Tilt Leg
Specification	15-30° / 30-60°
Material	Aluminum AL6005-T5 (Anodized)
Main Parts	Front Leg, Adjustable Back Leg, Wood Screws M6*80 etc.
Warranty	10 years
Lifespan	More than 20 years

End Clamp 30/35 Kit



Item	End Clamp 30/35 Kit
Specification	L40mm, H30/35mm
Material	AL6005-T5/SS304
Warranty	10 years
Lifespan	More than 20 years

Inter Clamp 30-40 Kit



Item	Inter Clamp 30-40 Kit
Specification	L40mm, H30-40mm
Material	AL6005-T5/SS304
Warranty	10 years
Lifespan	More than 20 years

Kliplok 27 Kit



Item	Kliplok 27 Kit
Specification	L50mm
Material	AL6005-T5/SS304
Warranty	10 years
Lifespan	More than 20 years

DC Nut Kit



Item	DC Nut Kit
Specification	L18, M8*25mm
Material	AL6005-T5/SS304
Warranty	10 years
Lifespan	More than 20 years

MA Nut Kit M8*25



Item	MA Nut Kit M8*25
Specification	L20, M8*25
Material	AL6005-T5/SS304
Warranty	10 years
Lifespan	More than 20 years



THE END
Thank you